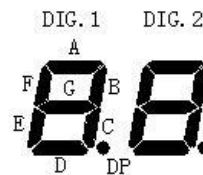
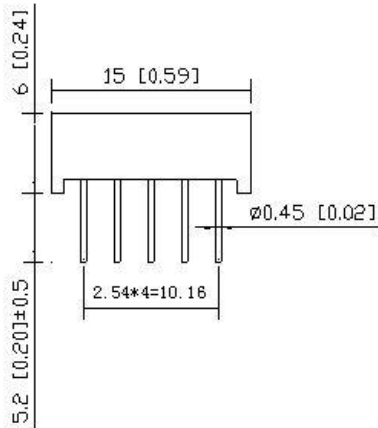
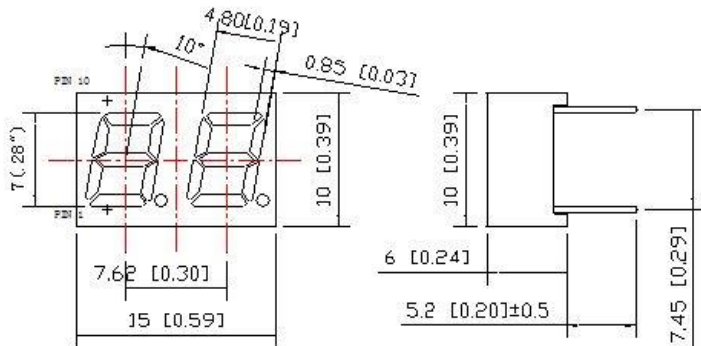


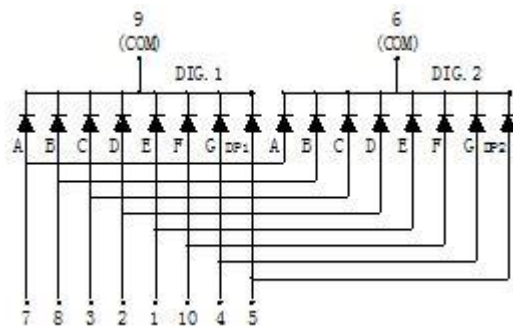
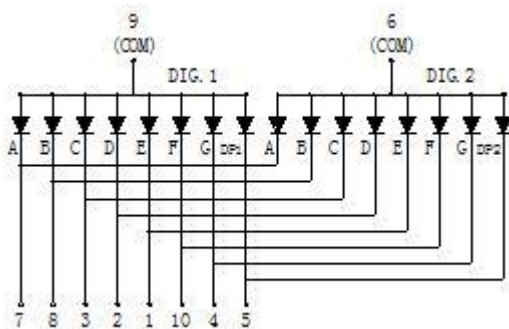
0.28" Dual Digit Numeric Displays

Package Dimension:



Common Anode

Common Cathode



Notes:

All dimensions are in millimeters (inches).  
Tolerance is  $\pm 0.25$  mm (.010") unless otherwise noted.  
Specifications are subject to change without notice.

**Absolute Maximum Ratings at Ta=25°C**

Parameters	Symbol	Max.	Unit
Power Dissipation Per Segment	PD	60	mW
Peak Forward Current Per Segment (1/10 Duty Cycle, 0.1ms Pulse Width)	IFP	100	mA
Forward Current Per Segment	IF	25	mA
Dating Linear From 50°C		0.4	mA/°C
Reverse Voltage	VR	5	V
Operating Temperature Range	Topr	-40°C to +80°C	
Storage Temperature Range	Tstg	-40°C to +85°C	
Soldering Temperature	Tsld	260°C for 5 Seconds	

**Electrical Optical Characteristics at Ta=25°C**

Source Color	Model No.	VF(V)			IR(μA)	IV(mcd)			λd(nm)		
		Min.	Typ.	Max.		Min.	Typ.	Max.	Min.	Typ.	Max.
		IF=20mA			VR=5V			IF=20mA			
<b>Red</b>	SE-7S2-28RAG	2.0	2.6	50	5	10	--	640	650	660	
<b>Yellow Green</b>	SE-7S2-28GAG	2.1	2.7	50	9	18	--	568	572	575	
<b>Blue</b>	SE-7S2-28BAG	3.2	3.8	50	7.5	15	--	460	467	475	
<b>White</b>	SE-7S2-28WAG	3.2	3.6	50	15	30	--	X=0.30	Y=0.31		

Notes:

Luminous intensity is measured with a light sensor and filter combination that approximates the CIE eye-response curve. The dominant wavelength ( $\lambda_d$ ) is derived from the CIE chromaticity diagram and represents the single wavelength which defines the color of the device.