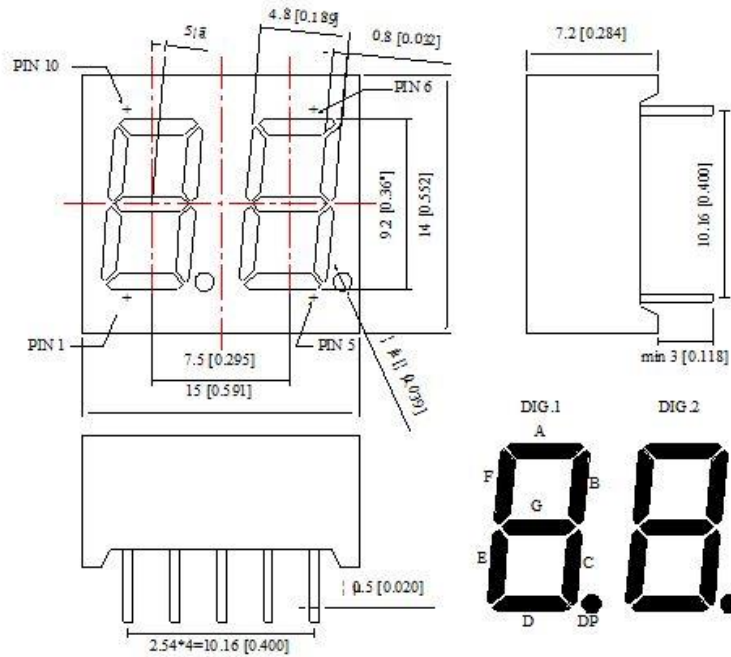


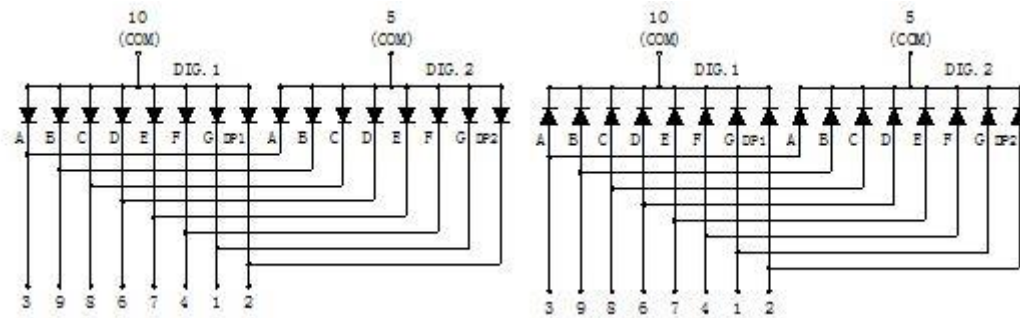
0.36" Dual Digit Numeric Displays

Package Dimension:



Common Anode

Common Cathode



Notes:

All dimensions are in millimeters (inches).
Tolerance is ± 0.25 mm (.010") unless otherwise noted.
Specifications are subject to change without notice.

**Absolute Maximum Ratings at Ta=25°C**

| Parameters | Symbol | Max. | Unit |
|--|--------|---------------------|-------|
| Power Dissipation Per Segment | PD | 60 | mW |
| Peak Forward Current Per Segment (1/10 Duty Cycle, 0.1ms Pulse Width) | IFP | 100 | mA |
| Forward Current Per Segment | IF | 25 | mA |
| Dating Linear From 50°C | | 0.4 | mA/°C |
| Reverse Voltage | VR | 5 | V |
| Operating Temperature Range | Topr | -40°C to +80°C | |
| Storage Temperature Range | Tstg | -40°C to +85°C | |
| Soldering Temperature | Tsld | 260°C for 5 Seconds | |

Electrical Optical Characteristics at Ta=25°C

| Source Color | Model No. | VF(V) | | | IR(μA) | IV(mcd) | | | λd(nm) | | |
|---------------------|--------------|---------|------|------|--------|---------|------|---------|--------|------|------|
| | | Min. | Typ. | Max. | | Min. | Typ. | Max. | Min. | Typ. | Max. |
| | | IF=20mA | | | VR=5V | | | IF=20mA | | | |
| Red | SE-7S2-36RAG | 2.0 | 2.6 | 50 | 5 | 10 | -- | 640 | 650 | 660 | |
| Yellow Green | SE-7S2-36GAG | 2.1 | 2.7 | 50 | 7 | 14 | -- | 568 | 572 | 575 | |
| Blue | SE-7S2-36BAG | 3.2 | 3.8 | 50 | 7.5 | 15 | -- | 460 | 467 | 475 | |
| White | SE-7S2-36WAG | 3.2 | 3.6 | 50 | 15 | 30 | -- | X=0.30 | Y=0.31 | | |

Notes:

Luminous intensity is measured with a light sensor and filter combination that approximates the CIE eye-response curve. The dominant wavelength (λ_d) is derived from the CIE chromaticity diagram and represents the single wavelength which defines the color of the device.