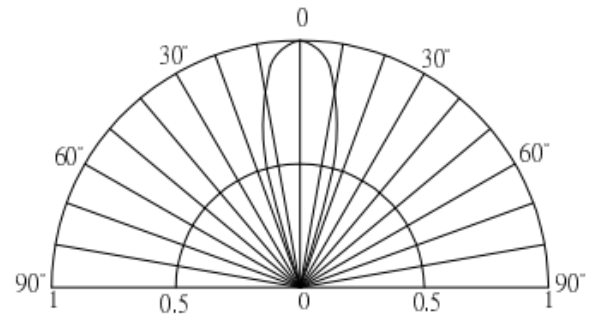
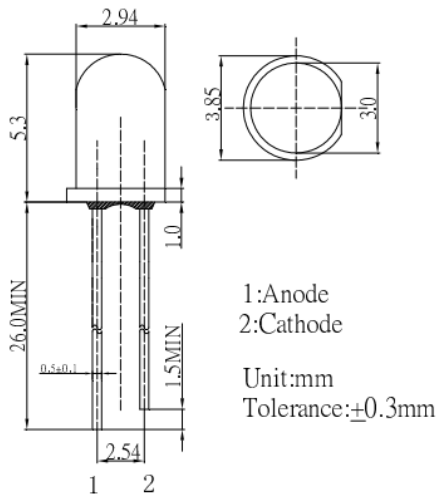


**Package Dimensions:**
**Directivity**

**Electrical –Optical Characteristics (Ta=25°C)**

Item	Symbol	Condition	Min.	Typ.	Max.	Unit
<b>DC Forward Voltage</b>	VF	IF=20mA	2.90	3.10	3.60	V
<b>DC Reverse Current</b>	IR	VR=5V	-	-	10	µA
<b>Luminous Intensity*</b>	IV	IF=20mA	-	6000	-	mcd
<b>Color Temperature</b>	CCT	IF=20mA	3000	3500	4000	K
<b>Chromaticity</b>	X	IF=20mA	-	0.42	-	
<b>Coordinates*</b>	Y	IF=20mA	-	0.40	-	
<b>50% Power Angle</b>	2θ1/2	IF=20mA	-	30	-	deg

\*1 Tolerance of dominant wavelength is ±1nm

\*2 Tolerance of luminous intensity is ± 15%

**Absolute Maximum Rating (Ta=25°C)**

Item	Symbol	Value	Unit
<b>DC Forward Current</b>	IF	30	mA
<b>Pulse Forward Current*</b>	IFP	100	mA
<b>Reverse Voltage</b>	VR	5	V
<b>Power Dissipation</b>	PD	108	mW
<b>Operating Temperature</b>	Topr	-30 ~ +85	°C
<b>Storage Temperature</b>	Tstg	-40 ~ +100	°C
<b>Lead Soldering Temperature</b>	Tsol	260°C / 5sec	-

\*Pulse width max.10ms, Duty ratio max 1/10