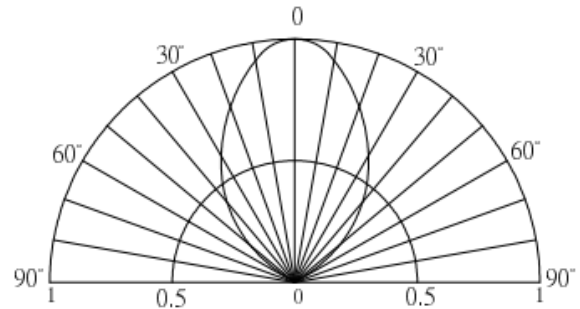
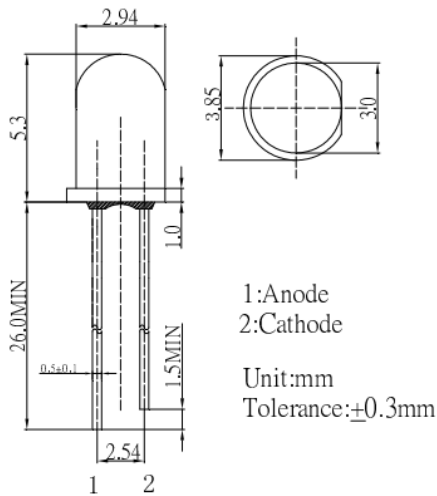


Package Dimensions:
Directivity

Electrical –Optical Characteristics (Ta=25°C)

Item	Symbol	Condition	Min.	Typ.	Max.	Unit
DC Forward Voltage	VF	IF=20mA	2.90	3.10	3.60	V
DC Reverse Current	IR	VR=5V	-	-	10	μ A
Luminous Intensity*	IV	IF=20mA	1560	2180	-	mcd
Color Temperature	CCT	IF=20mA	6500	7000	7500	K
Chromaticity	X	IF=20mA	-	0.30	-	
Coordinates*	Y	IF=20mA	-	0.33	-	
50% Power Angle	2 θ 1/2	IF=20mA	-	70	-	deg
ESD Sensitivity	White	HBM	2000	-	-	V

*1 Tolerance of chromaticity coordinates is $\pm 10\%$

*2 Tolerance of luminous intensity is $\pm 15\%$

Absolute Maximum Rating (Ta=25°C)

Item	Symbol	Value	Unit
DC Forward Current	IF	30	mA
Pulse Forward Current*	IFP	100	mA
Reverse Voltage	VR	5	V
Power Dissipation	PD	108	mW
Operating Temperature	Topr	-30 ~ +85	°C
Storage Temperature	Tstg	-40 ~ +100	°C
Lead Soldering Temperature	Tsol	260°C / 5sec	-

*Pulse width max.10ms, Duty ratio max 1/10