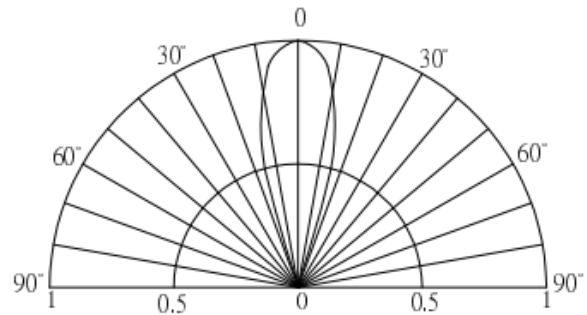
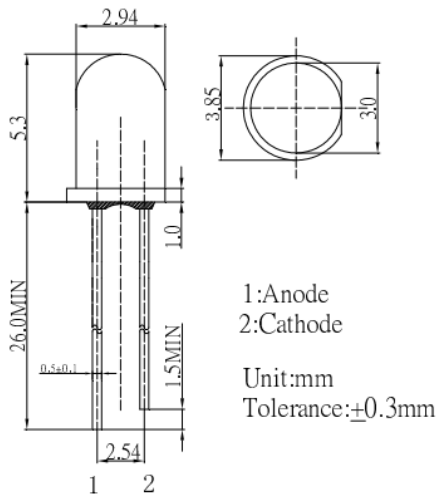


**Package Dimensions:**
**Directivity**

**Electrical –Optical Characteristics (Ta=25°C)**

| Item                       | Symbol | Condition | Min. | Typ.  | Max. | Unit |
|----------------------------|--------|-----------|------|-------|------|------|
| <b>DC Forward Voltage</b>  | VF     | IF=20mA   | 2.90 | 3.10  | 3.60 | V    |
| <b>DC Reverse Current</b>  | IR     | VR=5V     | -    | -     | 10   | µA   |
| <b>Domi. Wavelength*</b>   | λd     | IF=20mA   | 520  | 525   | 530  | nm   |
| <b>Luminous Intensity*</b> | IV     | IF=20mA   | 8400 | 10000 | -    | mcd  |
| <b>50% Power Angle</b>     | 2θ1/2  | IF=20mA   | -    | 30    | -    | deg  |

\*1 Tolerance of dominant wavelength is ±1nm

\*2 Tolerance of luminous intensity is ± 15%

**Absolute Maximum Rating (Ta=25°C)**

| Item                              | Symbol | Value        | Unit |
|-----------------------------------|--------|--------------|------|
| <b>DC Forward Current</b>         | IF     | 30           | mA   |
| <b>Pulse Forward Current*</b>     | IFP    | 100          | mA   |
| <b>Reverse Voltage</b>            | VR     | 5            | V    |
| <b>Power Dissipation</b>          | PD     | 108          | mW   |
| <b>Operating Temperature</b>      | Topr   | -30 ~ +85    | °C   |
| <b>Storage Temperature</b>        | Tstg   | -40 ~ +100   | °C   |
| <b>Lead Soldering Temperature</b> | Tsol   | 260°C / 5sec | -    |

\*Pulse width max.10ms, Duty ratio max 1/10