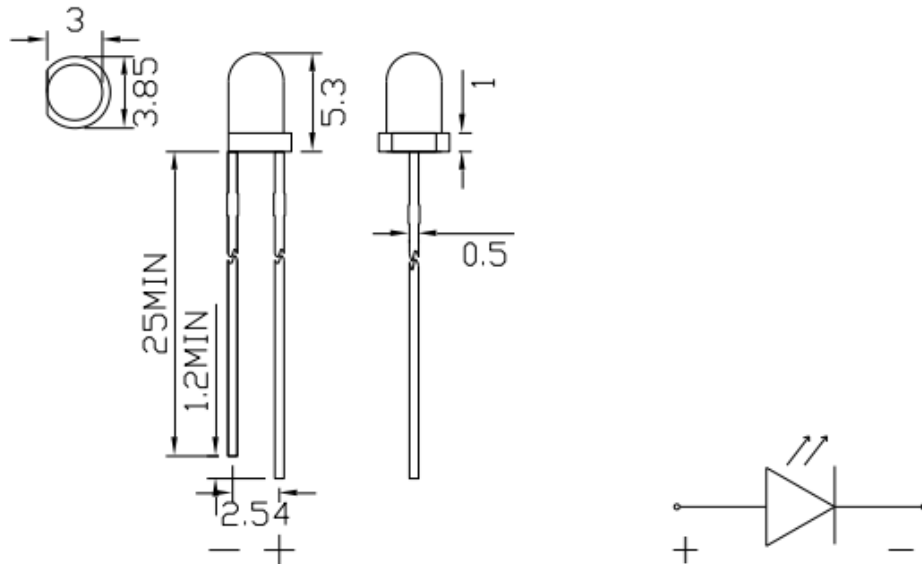


Lighting Color: Red  
Lens Color: Red Diffused

Dimensions:



Electrical Optical Characteristics (Ta=25°C)

Parameter	Symbol	Min.	Typ.	Max.	Unit	Test Condition
Luminous Intensity	IV	200	-	300	mcd	IF=20mA
Dominant Wavelength	$\lambda_d$	620	-	625	nm	IF=20mA
Forward Voltage	VF	1.9	2.1	2.3	V	IF=20mA
Reverse Current	IR	-	-	10	uA	VR=5V
Viewing Angle	2θ 1/2	40	-	45	deg	IF=20mA

1. Absolute maximum ratings Ta=25°C.
2. Tolerance of measurement of forward voltage ±0.2V.
3. Tolerance of measurement of peak Wavelength ±2.0nm.
4. Tolerance of measurement of luminous intensity ±15%.
5. Electrostatic sensitive device. When handling, please use anti-electrostatic gloves.
6. Please do not apply stress to the resin at high temperature.
7. Color bin grading is available for special applications.

Absolute Maximum Ratings (Ta=25°C)

Parameter	Rating	Unit
Reverse Voltage	5	V
Power Dissipation, Per Dice	100	mW/chip
Operating Temperature Ranger	-40~+80	°C
Storage Humidity	45%~85%	RH
Storage Temperature Ranger	-40~+100	°C
Soldering Temperature	260 °C For 5 Seconds	
Peak IF(ma) (1/10 Duty Cycle 0.1ms Pulse Width)	60	mA/chip
Continuous Forward Current	20	mA/chip