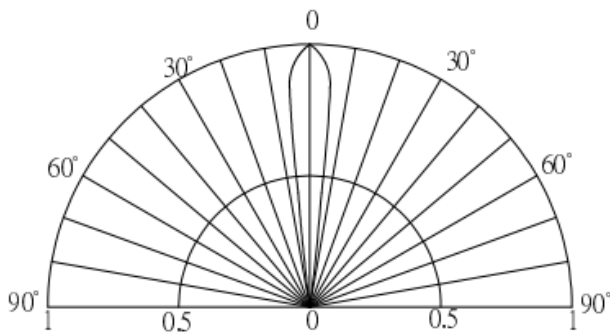


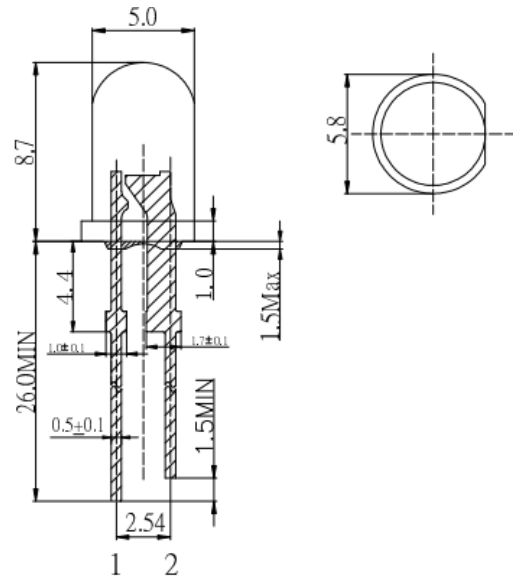
Features

- High Luminous LEDs
- 5mm Round Standard Directivity
- Superior Weather-resistance
- UV Resistant Epoxy
- Water Clear Type

Directivity



Outline Dimensions



1= Anode
2= Cathode
Unit: mm
Tolerance: ± 0.20mm unless otherwise noted

Absolute Maximum Rating (Ta=25°C)

Item	Symbol	Value	Unit
DC Forward Current	IF	80	mA
Pulse Forward Current*	IFP	120	mA
Reverse Voltage	VR	5	V
Power Dissipation	PD	288	mW
Operating Temperature	Topr	-30 ~ +85	°C
Storage Temperature	Tstg	-40 ~ +100	°C
Lead Soldering Temperature	Tsol	260°C/5sec	-

*Pulse Width Max.10ms / Duty ratio max 1/10

Electrical –Optical Characteristics (Ta=25°C)

Color	VF(V) IF=75mA			IR(µA) Max. VR=5V	Φv (LM) IF=75mA			Iv (mcd)			Wd.(nm)/CCT(K)			2θ1/2(deg) Typ.
	Min.	Typ.	Max.		Min.	Typ.	Max.	Min.	Typ.	Max.	Min.	Typ.	Max.	
Pure Green	2.8	3.2	3.6	10	15	18	-	140000	160000	-	520	525	530	15

- *1 Tolerance of measurements of chromaticity coordinate is +10%
- *2 Tolerance of measurements of dominant wavelength is +1nm
- *3 Tolerance of measurements of luminous flux is +15%
- *4 Tolerance of measurements of forward voltage is +0.1V