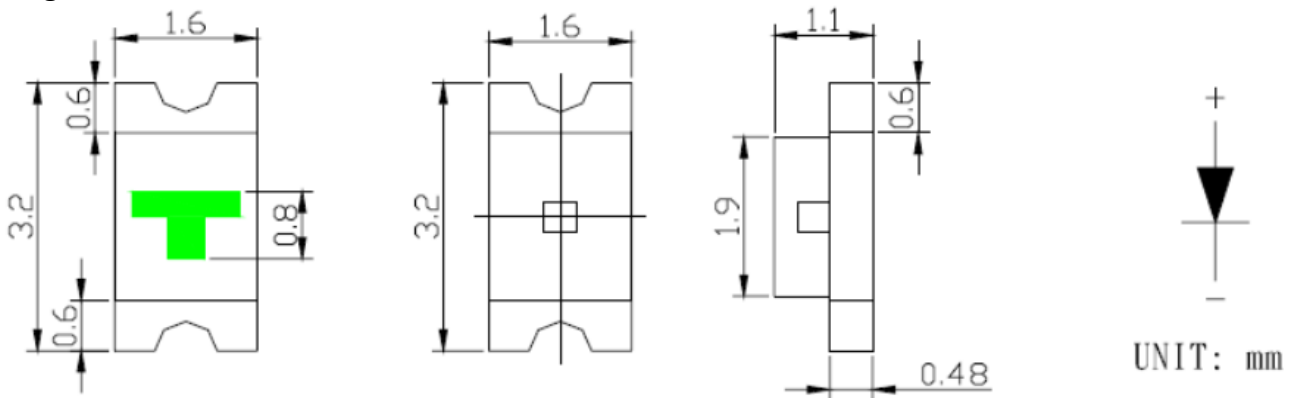
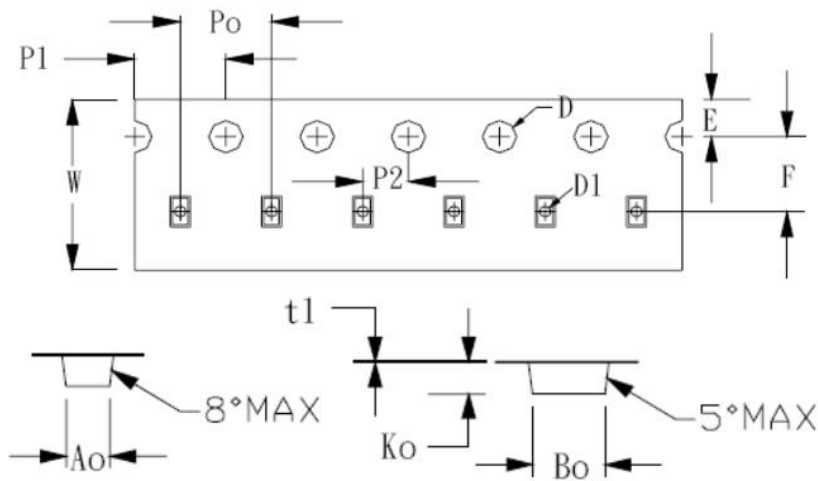


Package Dimensions of Device

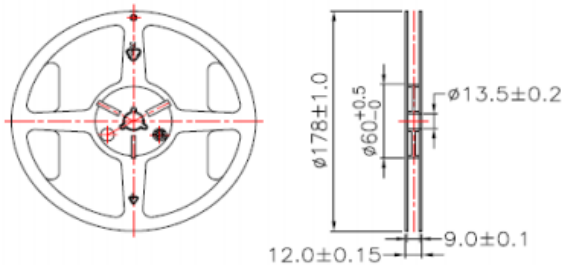


Tape Specification: 3.000pcs per reel

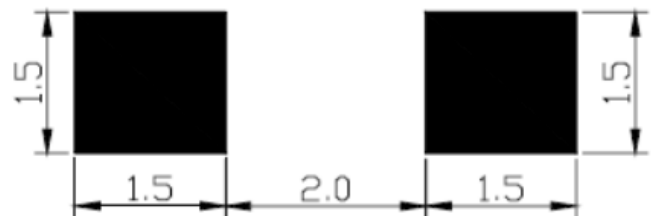
Packing Size													
Item	W	P1	E	F	D	D1	Po	10Po	P2	Ao	Bo	Ko	t
Spec.	8.0	4.0	1.75	3.50	1.55	1.0	4.00	40.00	2.00	1.78	3.40	1.04	0.229
Tolerance	± 0.20	± 0.10	± 0.05	± 0.05	± 0.05	+ 0.25	± 0.1	± 0.20	± 0.05	± 0.10	± 0.10	± 0.10	± 0.013



Package Dimensions of Reel



Recommended Soldering Pad Dimensions



Notes:  
 All dimensions are in millimeter(inch);  
 Tolerance is ±0.1mm (0.004") especially other specified;  
 Specifications are subject to change without notice.

Dice Material	Light Color	Lens Color
AlGaInP	Super Bright Red	Water Clear

### Electrical / Optical Characteristics (Ta=25°C)

Item	Symbol	Condition	Min.	Typ.	Max.	Unit
Forward Voltage	VF	IF=20mA	1.80	2.00	2.40	V
Luminous Intensity	IV	IF=20mA	28.0	40.0	-	mcd
Peak Emission Wavelength	$\lambda$ P	IF=20mA	-	635	-	nm
Dominant Wavelength	$\lambda$ D	IF=20mA	635	640	645	nm
Viewing Angle	2 $\theta$ ½	IF=20mA	-	130	-	deg
Reverse Current	IR	VR=5V	-	-	10	uA

The measuring tolerance: Luminous intensity  $\pm 15\%$ ; Wavelength( $\lambda$ D)  $\pm 2$ nm

### Absolut Maximum Ratings (Ta=25°C)

Item	Symbol	Maximum	Unit
Power Dissipation	PD	78	mW
Continuous Forward Current	IFmax	20	mA
Peak Forward Current (1/10 Duty Cycle 0.1ms Pulse Width)	IFP	100	mA
Reverse Voltage	VR	5	V
Derating Linear from 25°C		0.3	mA / °C
Operating Temperature Range	Topr	-30 to +80	°C
Storage Temperature Range	Tstg	-40 to +90	°C

## Precautions for use

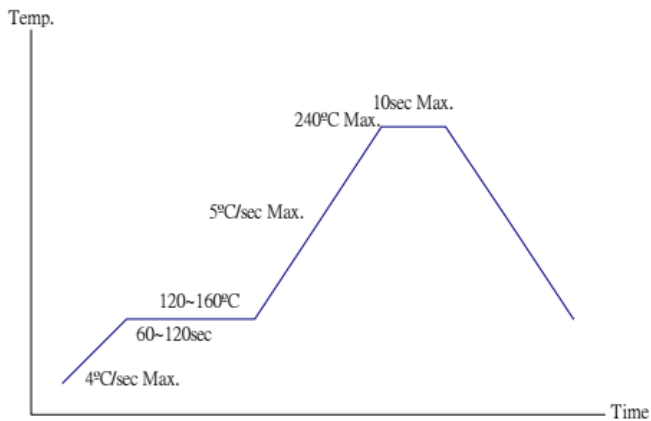
### Overdrive current proof

- Customer must apply resistors for protection; otherwise slight voltage shift will cause current change with great deal. (Burn out will happen)

### Storage

- The operation of temperature and R.H. are: 5°C ~30°C, 60%R.H> Max.
- Once the packing is opened, the products should be used within a week. Otherwise, they should be kept in a damp-proof box with desiccant. Considering the tape life, we suggest our customers to use our products within 1.5 year (from production date).
- It's recommended to bake before soldering when the package is unsealed more than 72hrs. The condition is: 60°C±5°C for 15hrs.

## Reflow Temp. / Time



## Hand Soldering Iron

- Temperature at tip of iron: 400°C Max. (35W Max.)
- Soldering time: 3±1sec

## Soldering Heat Reliability

- Please refer to the following figure:

