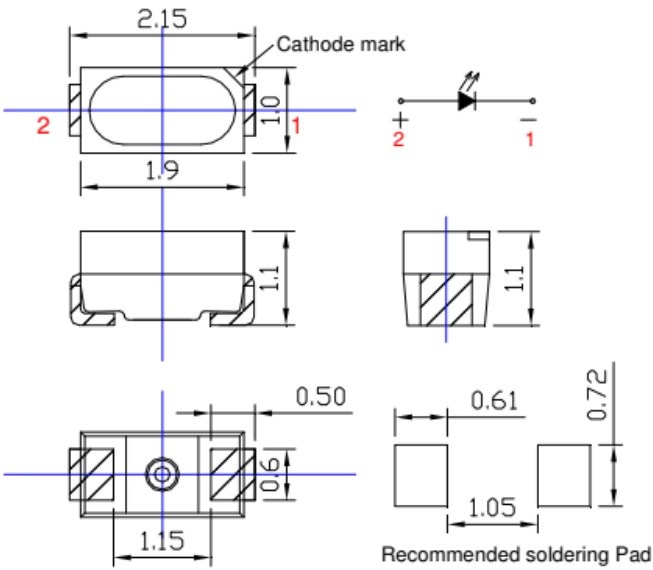
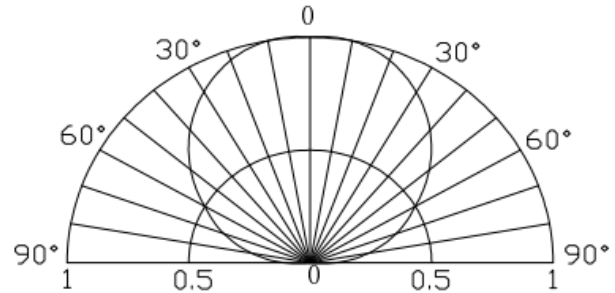


Outline Dimensions

Directivity

Absolute Maximum Rating (Ta=25°C)

Item	Symbol	Value	Unit
DC Forward Current	IF	30	mA
Pulse Forward Current*	IFP	100	mA
Reverse Voltage	VR	5	V
Power Dissipation	PD	102	mW
Operating Temperature	Topr	-40 ~ +85	°C
Storage Temperature	Tstg	-40 ~ +100	°C
Lead Soldering Temperature	Tsol	260°C/10sec	-

*Pulse width Max 0.1ms, Duty ratio max 1/10

Electrical –Optical Characteristics (Ta=25°C)

Part Number	Color	VF (V)			IR(μA) Max. VR=5V	Iv (mcd)			WD (nm)/CCT(K)			deg	CRI
		Min.	Typ.	Max.		Min.	Typ.	Max.	Min.	Typ.	Max.		
SE-SMD2110-CW1	White	2.8	3.0	3.4	10	2500	2800	-	5500K	-	6500K	120	90
SE-SMD2110-WW1	Warmwhite	2.8	3.0	3.4	10	2500	2800	-	2800K	-	3200K	120	90