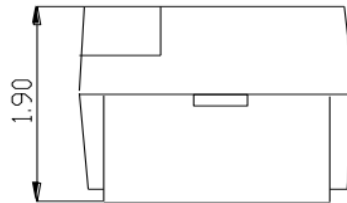
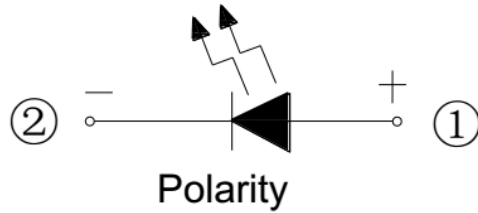
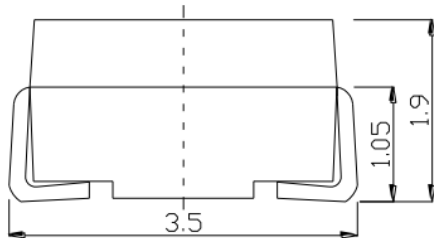
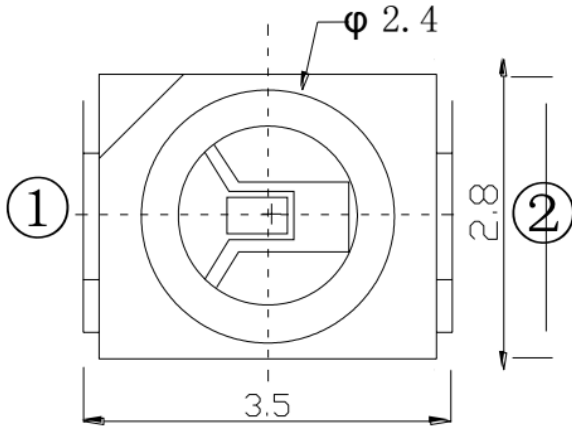
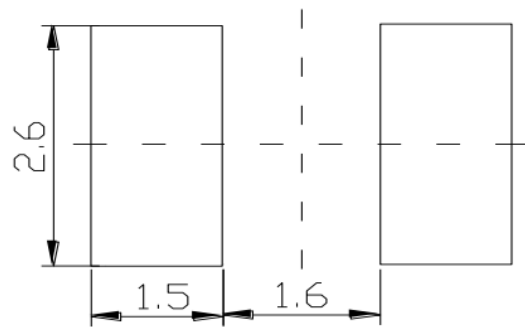
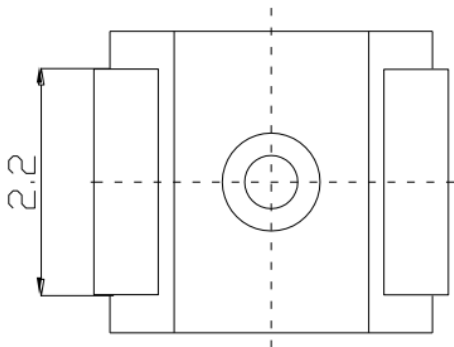


Description: Flat LED

Package Dimensions:



Soldering PAD Suggested:



Material	Color
AlGaInP	Red

Remarks:

1. All Dimensions are in millimeters
2. Tolerance of + or - 0.25mm 0.010 in. (unless otherwise noted)

Absolute Maximum Rating Value Temperature at 25°C

Parameters	Maximum Rating	Unit
Power	60	mW
Pulse Forward Current	50	mA
Forward Current	20	mA
Reverse Voltage	5	V

Optical Parameters Temperature at 25°C

Parameter	Symbols	Min.	Typ.	Max.	Units	Test Condition
Luminous Flux	Φ	--	--	--	lm	IF=20mA
Luminous Intensity	Iv	800	--	1000	mcd	IF=20mA
Viewing Angle	2 θ 1/2	--	120	--	deg	IF=20mA
Chromaticity Coordinates	X	--	--	--	--	IF=20mA
	Y	--	--	--	--	IF=20mA
Color Wave	Tc	620	623	625	nm	IF=20mA
Color Rendering Index	CRI	--	--	--	Ra	IF=20mA
Forward Voltage	VF	1.8	--	2.4	V	IF=20mA
Reverse Current	IR	--	--	10	uA	VR=5V

Remarks:

1. Light-emitting brightness is according to human eye simulation of the induction curve of luminous intensity in line with the CIE (International Light Committee Organization).
2. 1/2 angle is from optical centerline at the luminous intensity is 1/2 the optical centerline value.
3. Brightness tolerance is guaranteed within plus or minus 10%.

Typical Electrical and Perspective Curve

Unless Otherwise Specified, Ambient Temperature is 25°C

