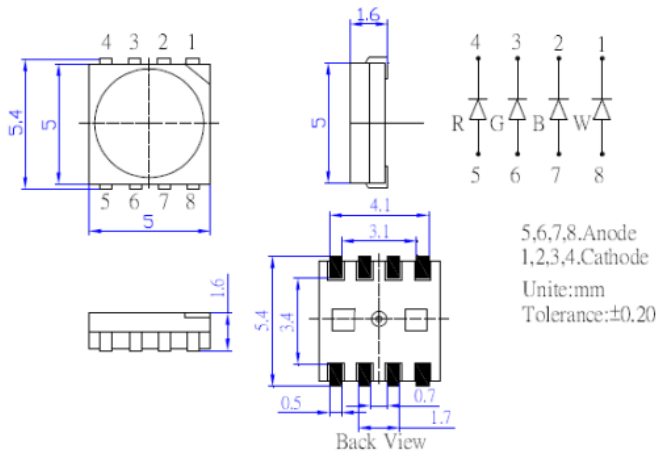
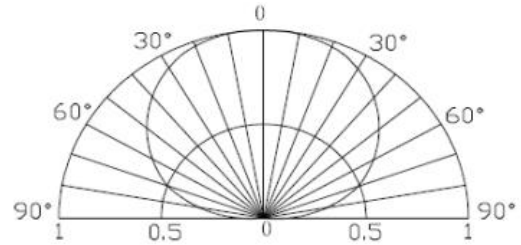


Outline Dimensions



Directivity



Absolute Maximum Rating (Ta=25°C)

Item	Symbol	Value		Unit
		Red	G/B/W	
DC Forward Current	IF	50	30	mA
Pulse Forward Current*	IFP	120	100	mA
Reverse Voltage	VR	5	5	V
Power Dissipation	PD	130	114	mW
Operating Temperature	Topr	-30 ~ +85		°C
Storage Temperature	Tstg	-40 ~ +100		°C
Lead Soldering Temperature	Tsol	260°C / 5sec		-

Pulse width Max. 10ms Duty ratio max 1/10

Electrical –Optical Characteristics (Ta=25°C)

Item	Symbol	Condition	Min.	Typ.	Max.	Unit
DC Forward Voltage	VF (R)	IF=20mA	1.8	2.1	2.6	V
	VF (B/G)	IF=20mA	2.8	3.1	3.6	V
	VF (W)	IF=20mA	2.8	3.1	3.6	V
DC Reverse Current	IR	VR=5V	-	-	10	uA
Domi. Wavelength*	λD (Red)	IF=20mA	620	625	630	nm
	λD (Green)	IF=20mA	520	525	530	nm
	λD (Blue)	IF=20mA	465	470	475	nm
	CCT(W)	IF=30mA	5500	6500	7500	K
Luminous Intensity*	Φv (Red)	IF=20mA	1.5	2.0	-	lm
	Φv (Green)	IF=20mA	4.0	4.5	-	lm
	Φv (Blue)	IF=20mA	0.8	1.0	-	lm
	Φv (W)	IF=30mA	8.0	10.0	-	lm
50% Power Angle	2θ1/2	IF=20mA	-	140	-	deg

*1 Dominant wavelength Measurement allowance is +1nm

*2 Luminous intensity Measurement allowance is +15%