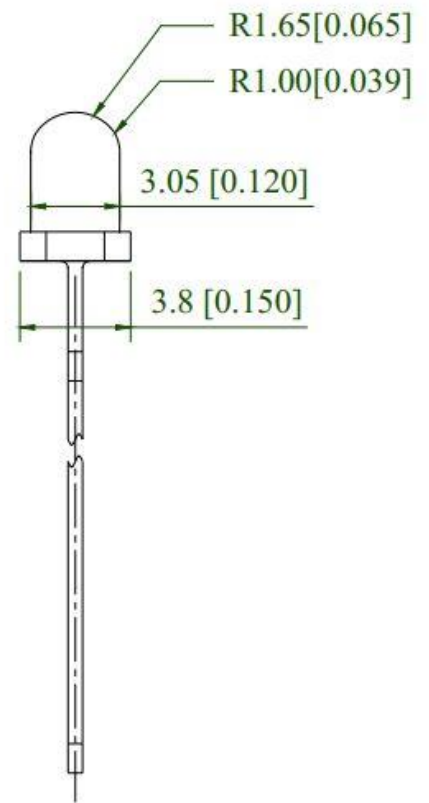
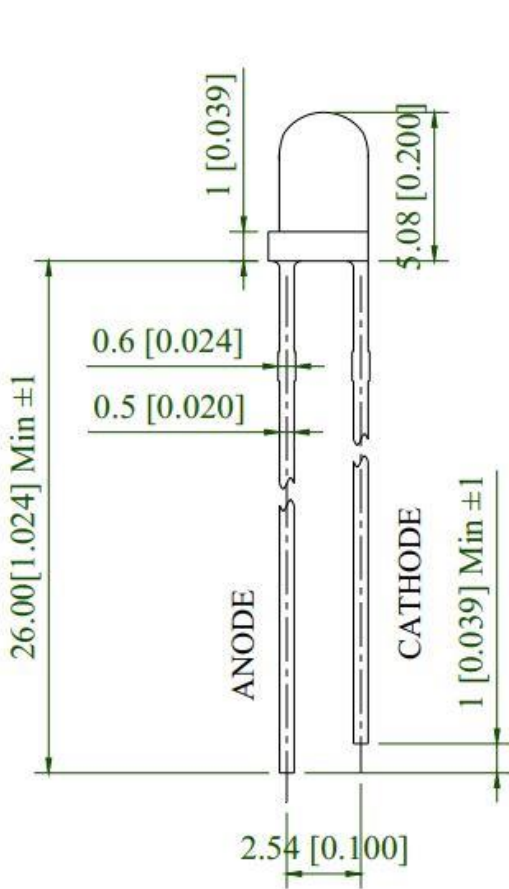
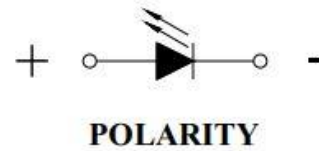
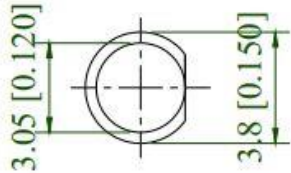


Part No.	Emitting Color	Lens Color
SE-LED3UV4-430-1	UV	Water Clear

Package Dimension:



Notes:

All dimensions are in millimeters (inches).  
Tolerance is  $\pm 0.25\text{mm}$  (.010") unless otherwise noted.  
Protruded resin under flange is 1.00mm (.039") max.

**Absolute Maximum Ratings at Ta=25°C**

Parameters	Symbol	Max.	Unit
Power Dissipation	Pd	80	mW
Peak Forward Current (a)	IFP	50	mA
DC Forward Current (b)	IF	20	mA
Reverse Voltage	VR	5	V
Operating Temperature Range	Topr	-40°C to +80°C	
Storage Temperature Range	Tstg	-40°C to +85°C	
Soldering Temperature	Tsld	260°C for 5 Seconds	

## Notes:

- a. Derate linearly as shown in derating curve
- b. Duty Factor = 10%, Frequency = 1 kHz.

**Electrical Optical Characteristics at Ta=25°C**

Parameters	Symbol	Min.	Typ.	Max.	Unit	Test Condition
Luminous Intensity (a)	IV	210	350	--	mcd	IF=15mA
Viewing Angle (b)	2θ ½	--	25	--	deg.	IF=15mA
Peak Emission Wavelength	λ p	--	435	--	nm	IF=15mA
Spectral Line Half-Width	Δ λ	--	20	--	nm	IF=15mA
Forward Voltage	VF	2.8	3.2	4.0	V	IF=15mA
Reverse Current	IR	--	--	10	μA	VR=5V

## Notes:

- a. Luminous Intensity is measured with a light sensor and filter combination that approximates the CIE eye-response curve.
- b. 2θ ½ is the o-axis angle where the luminous intensity is ½ peak intensity.

**Typical Electrical / Optical Characteristics Curves**  
(25°C Ambient Temperature Unless Otherwise Noted)

