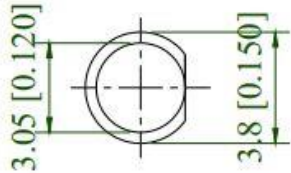
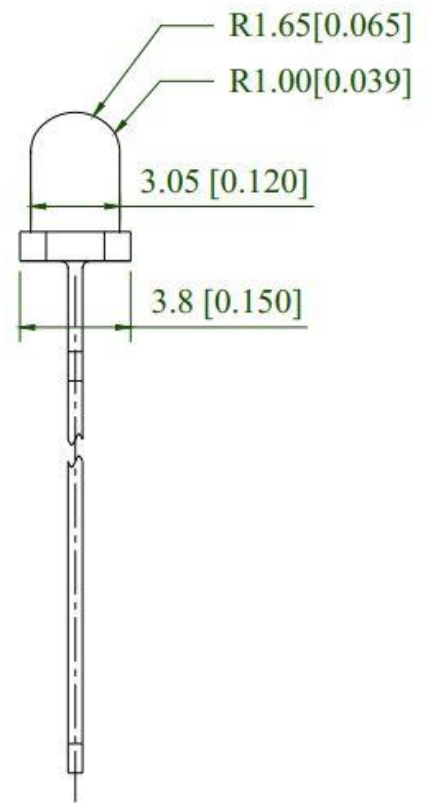
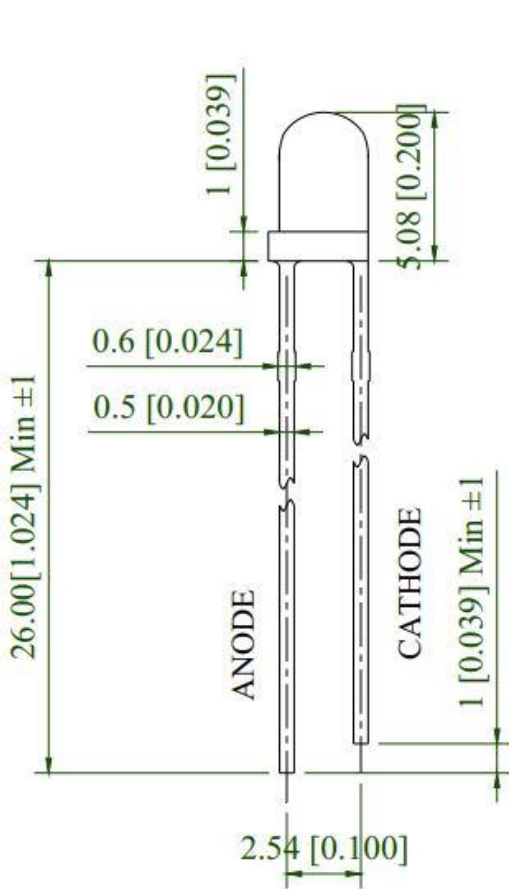


Part No.	Emitting Color	Lens Color
SE-LED3UV5-450-1	blue	Water Clear

Package Dimension:



POLARITY



Notes:

All dimensions are in millimeters (inches).
Tolerance is $\pm 0.25\text{mm}$ (.010") unless otherwise noted.
Protruded resin under flange is 1.00mm (.039") max.

Absolute Maximum Ratings at Ta=25°C

Parameters	Symbol	Max.	Unit
Power Dissipation	Pd	90	mW
Peak Forward Current (a)	IFP	100	mA
DC Forward Current (b)	IF	25	mA
Reverse Voltage	VR	5	V
Operating Temperature Range	Topr	-40°C to +80°C	
Storage Temperature Range	Tstg	-40°C to +85°C	
Soldering Temperature	Tsld	260°C for 5 Seconds	

Notes:

- a. Derate linearly as shown in derating curve
- b. Duty Factor = 10%, Frequency = 1 kHz.

Electrical Optical Characteristics at Ta=25°C

Parameters	Symbol	Min.	Typ.	Max.	Unit	Test Condition
Luminous Intensity (a)	IV	1700	2900	--	mcd	IF=20mA
Viewing Angle (b)	2θ ½	--	30	--	deg.	IF=20mA
Peak Emission Wavelength	λ p	--	450	--	nm	IF=20mA
Dominant Wavelength	λ d	--	455	--	nm	IF=20mA
Spectral Line Half-Width	Δ λ	--	25	--	nm	IF=20mA
Forward Voltage	VF	2.6	3.0	3.6	V	IF=20mA
Reverse Current	IR	--	--	10	μA	VR=5V

Notes:

- a. Luminous Intensity is measured with a light sensor and filter combination that approximates the CIE eye-response curve.
- b. 2θ ½ is the o-axis angle where the luminous intensity is ½ peak intensity.
- c. The dominant wavelength (λ d) is derived from the CIE chromaticity diagram and represents the single wavelength which defines the color of the device

Typical Electrical / Optical Characteristics Curves
(25°C Ambient Temperature Unless Otherwise Noted)

