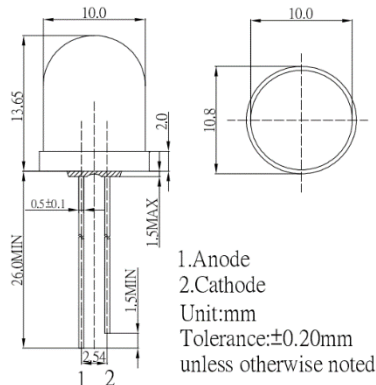
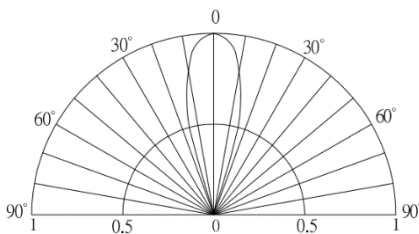


Outline Dimensions

Specifications

- High luminous LED
- Low Power Consumption
- UV Resistant Epoxy
- Water clear type
- Specified at IF = 1 mA

Applications

- Background illumination
- General lighting purposes
- Low power DC circuits
- Communications equipment

Directivity

Absolute Maximum Ratings (Ta=25°C)

Item	Symbol	Value		Unit
		CW/WW/B/G	Y/O/R	
DC Forward Current	IF	30	30	mA
Pulse Forward Current	IFP	100	100	mA
Reverse Voltage	VR	5	5	V
Power Dissipation	PD	102	66	mW
Operating Temperature	Topr	-30 ~ +85		°C
Storage Temperature	Tstg	-40 ~ +100		°C
Lead Soldering Temperature	Tsol	260°C/5sec		-

- Pulse width Max.10ms Duty ratio max 1/10

Electrical -Optical Characteristics (Ta=25°C)

Part No	Color	VF (V)			IR(μA) Max VR=5V	Iv (mcd)			λD(nm)			2θ1/2(deg) Typ.
		Min.	Typ.	Max.		Min.	Typ.	Max.	Min.	Typ.	Max.	
SE-LED10LC3030-CWC1	CW	-	2.8	3.4	10	2180	3000	-	8500-18000K(X:0.27, Y:0.28)			30
SE-LED10LC2130-WWC1	WW	-	2.8	3.4	10	1560	2180	-	2700-3200K(X:0.45, Y:0.41)			30
SE-LED10LC1530-BC1	B	-	2.8	3.4	10	1120	1560	-	465	470	475	30
SE-LED10LC3030-GC1	G	-	2.8	3.4	10	2180	3000	-	520	525	530	30
SE-LED10LC1530-YC1	Y	-	1.8	2.2	10	1120	1560	-	585	590	595	30
SE-LED10LC1530-OC1	O	-	1.8	2.2	10	1120	1560	-	600	605	610	30
SE-LED10LC1530-RC1	R	-	1.8	2.2	10	1120	1560	-	620	625	630	30

- Tolerance of measurements of chromaticity coordinate is +10%
- Tolerance of measurements of dominant wavelength is +1nm
- Tolerance of measurements of luminous intensity is +15%
- Tolerance of measurements of forward voltage is +0.1V