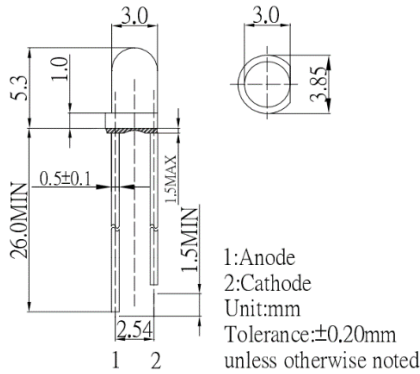
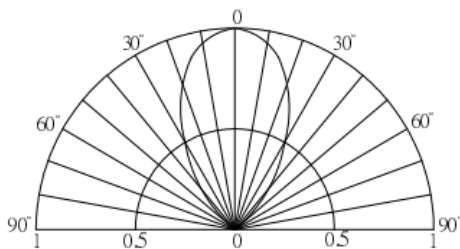


**Outline Dimensions**

**Specifications**

- High luminous LED
- Low Power Consumption
- UV Resistant Epoxy
- Specified at IF = 1 mA
- Color Diffused Type (W/M: White Diffused)

**Applications**

- Background illumination
- General lighting purposes
- Low power DC circuits
- Communications equipment

**Directivity**

**Absolute Maximum Ratings (Ta=25°C)**

| Item                       | Symbol | Value      |       | Unit |
|----------------------------|--------|------------|-------|------|
|                            |        | CW/WW/B/G  | Y/O/R |      |
| DC Forward Current         | IF     | 30         | 30    | mA   |
| Pulse Forward Current      | IFP    | 100        | 100   | mA   |
| Reverse Voltage            | VR     | 5          | 5     | V    |
| Power Dissipation          | PD     | 102        | 66    | mW   |
| Operating Temperature      | Topr   | -30 ~ +85  |       | °C   |
| Storage Temperature        | Tstg   | -40 ~ +100 |       | °C   |
| Lead Soldering Temperature | Tsol   | 260°C/5sec |       | -    |

- Pulse width Max.10ms Duty ratio max 1/10

**Electrical -Optical Characteristics (Ta=25°C)**

| Part No           | Color | VF (V) |      |      | IR(μA)<br>Max<br>VR=5V | Iv (mcd) |      |      | λD(nm)                      |      |      | 2θ1/2(deg)<br>Typ. |
|-------------------|-------|--------|------|------|------------------------|----------|------|------|-----------------------------|------|------|--------------------|
|                   |       | Min.   | Typ. | Max. |                        | Min.     | Typ. | Max. | Min.                        | Typ. | Max. |                    |
| SE-LED3LC560-CWD1 | CW    | -      | 2.8  | 3.4  | 10                     | 330      | 500  | -    | 8500-18000K(X:0.27, Y:0.28) |      |      | 60                 |
| SE-LED3LC360-WWD1 | WW    | -      | 2.8  | 3.4  | 10                     | 220      | 330  | -    | 2700-3200K(X:0.45, Y:0.41)  |      |      | 60                 |
| SE-LED3LC260-BD1  | B     | -      | 2.8  | 3.4  | 10                     | 150      | 220  | -    | 465                         | 470  | 475  | 60                 |
| SE-LED3LC560-GD1  | G     | -      | 2.8  | 3.4  | 10                     | 330      | 500  | -    | 520                         | 525  | 530  | 60                 |
| SE-LED3LC260-YD1  | Y     | -      | 1.8  | 2.2  | 10                     | 150      | 220  | -    | 585                         | 590  | 595  | 60                 |
| SE-LED3LC260-OD1  | O     | -      | 1.8  | 2.2  | 10                     | 150      | 220  | -    | 600                         | 605  | 610  | 60                 |
| SE-LED3LC260-RD1  | R     | -      | 1.8  | 2.2  | 10                     | 150      | 220  | -    | 620                         | 625  | 630  | 60                 |

- Tolerance of measurements of chromaticity coordinate is +10%
- Tolerance of measurements of dominant wavelength is +1nm
- Tolerance of measurements of luminous intensity is +15%
- Tolerance of measurements of forward voltage is +0.1V