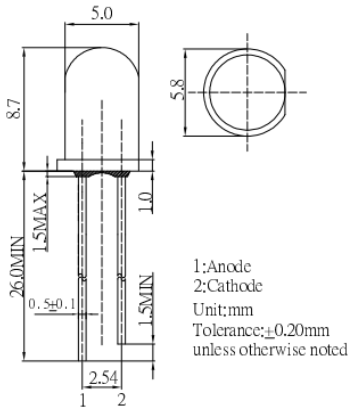
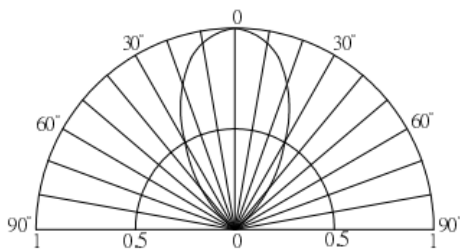


Outline Dimensions

Specifications

- High luminous LED
- Low Power Consumption
- UV Resistant Epoxy
- Specified at IF = 1 mA
- Color Diffused Type (W/M: White Diffused)

Applications

- Background illumination
- General lighting purposes
- Low power DC circuits
- Communications equipment

Directivity

Absolute Maximum Ratings (Ta=25°C)

Item	Symbol	Value		Unit
		CW/WW/B/G	Y/O/R	
DC Forward Current	IF	30	30	mA
Pulse Forward Current	IFP	100	100	mA
Reverse Voltage	VR	5	5	V
Power Dissipation	PD	102	66	mW
Operating Temperature	Topr	-30 ~ +85		°C
Storage Temperature	Tstg	-40 ~ +100		°C
Lead Soldering Temperature	Tsol	260°C/5sec		-

- Pulse width Max.10ms Duty ratio max 1/10

Electrical -Optical Characteristics (Ta=25°C)

Part No	Color	VF (V)			IR(μA) Max VR=5V	Iv (mcd)			λD(nm)			2θ1/2(deg) Typ.
		Min.	Typ.	Max.		Min.	Typ.	Max.	Min.	Typ.	Max.	
SE-LED5LC760-CWD1	CW	-	2.8	3.4	10	500	750	-	8500-18000K(X:0.27, Y:0.28)			60
SE-LED5LC560-WWD1	WW	-	2.8	3.4	10	330	500	-	2700-3200K(X:0.45, Y:0.41)			60
SE-LED5LC360-BD1	B	-	2.8	3.4	10	220	330	-	465	470	475	60
SE-LED5LC760-GD1	G	-	2.8	3.4	10	500	750	-	520	525	530	60
SE-LED5LC360-YD1	Y	-	1.8	2.2	10	220	330	-	585	590	595	60
SE-LED5LC360-OD1	O	-	1.8	2.2	10	220	330	-	600	605	610	60
SE-LED5LC360-RD1	R	-	1.8	2.2	10	220	330	-	620	625	630	60

- Tolerance of measurements of chromaticity coordinate is +10%
- Tolerance of measurements of dominant wavelength is +1nm
- Tolerance of measurements of luminous intensity is +15%
- Tolerance of measurements of forward voltage is +0.1V