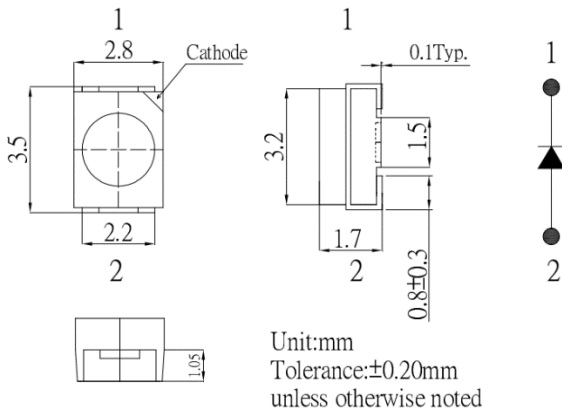
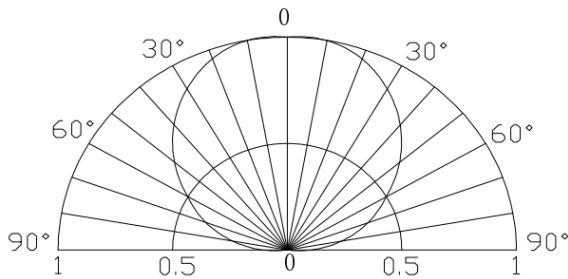


**Outline Dimensions**

**Specifications**

- High Luminous PLCC2 Top SMD LEDs
- 3.5\*2.8\*1.7mm Standard Directivity
- UV Resistant Silicone
- Specified at IF = 1 mA
- Water Clear Type

**Applications**

- Automotive Dashboard Lighting
- Back Lighting
- Traffic Signal Lamp
- Modelling

**Directivity**

**Absolute Maximum Ratings (Ta=25°C)**

Item	Symbol	Value		Unit
		CW/WW/B/G	Y/O/R	
DC Forward Current	IF	30	30	mA
Pulse Forward Current	IFP	100	100	mA
Reverse Voltage	VR	5	5	V
Power Dissipation	PD	102	66	mW
Operating Temperature	Topr	-30 ~ +85		°C
Storage Temperature	Tstg	-40 ~ +100		°C
Lead Soldering Temperature	Tsol	260°C/5sec		-

- Pulse width Max.10ms Duty ratio max 1/10

**Electrical -Optical Characteristics (Ta=25°C)**

Part No	Color	VF (V)			IR(μA) Max VR=5V	Iv (mcd)			λD(nm)			2θ1/2(deg) Typ.
		Min.	Typ.	Max.		Min.	Typ.	Max.	Min.	Typ.	Max.	
SE-SMD3528LC3-CWC1	CW	2.6	2.8	3.4	10	220	330	-	8500-18000K(X:0.27, Y:0.28)			120
SE-SMD3528LC2-WWC1	WW	2.6	2.8	3.4	10	150	220	-	2700-3200K(X:0.45, Y:0.41)			120
SE-SMD3528LC1-BC1	B	2.6	2.8	3.4	10	100	150	-	465	470	475	120
SE-SMD3528LC3-GC1	G	2.6	2.8	3.4	10	220	330	-	520	525	530	120
SE-SMD3528LC1-YC1	Y	1.5	1.8	2.2	10	100	150	-	585	590	595	120
SE-SMD3528LC1-OC1	O	1.5	1.8	2.2	10	100	150	-	600	605	610	120
SE-SMD3528LC1-RC1	R	1.5	1.8	2.2	10	100	150	-	620	625	630	120

- Tolerance of measurements of chromaticity coordinate is +10%
- Tolerance of measurements of dominant wavelength is +1nm
- Tolerance of measurements of luminous intensity is +15%
- Tolerance of measurements of forward voltage is +0.1V