

# SE-5-850IFC-OS

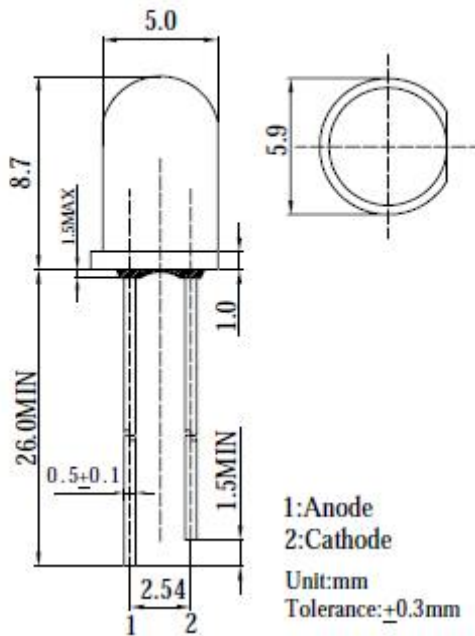
## ■Features

- High Radiant Power LEDs
- 5mm Standard Directivity
- Superior Weather-resistance
- UV Resistant Epoxy
- Water Clear Type

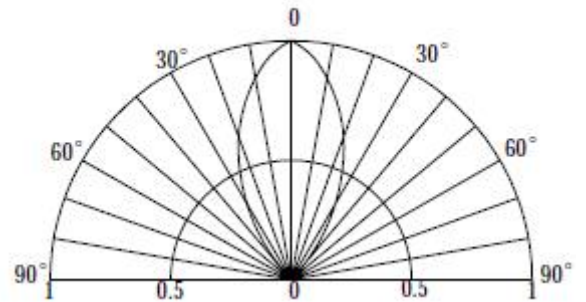
## ■Applications

- IrDA
- Encoder
- Data Communication

## ■Outline Dimension



## ■Directivity



### ■Absolute Maximum Rating

(Ta=25°C)

| Item                       | Symbol   | Value      | Unit |
|----------------------------|----------|------------|------|
| DC Forward Current         | $I_F$    | 70         | mA   |
| Pulse Forward Current*     | $I_{FP}$ | 200        | mA   |
| Reverse Voltage            | $V_R$    | 5          | V    |
| Power Dissipation          | $P_D$    | 119        | mW   |
| Operating Temperature      | Topr     | -30 ~ +85  | °C   |
| Storage Temperature        | Tstg     | -40~ +100  | °C   |
| Lead Soldering Temperature | Tsol     | 260°C/5sec | -    |

\*Pulse width Max.10ms Duty ratio max 1/10

### ■Electrical -Optical Characteristics

(Ta=25°C)

| Item               | Symbol          | Condition  | Min. | Typ. | Max. | Unit    |
|--------------------|-----------------|------------|------|------|------|---------|
| DC Forward Voltage | $V_F$           | $I_F=20mA$ | -    | 1.4  | 1.7  | V       |
| DC Reverse Current | $I_R$           | $V_R=5V$   | -    | -    | 10   | $\mu A$ |
| Peak Wavelength    | $\lambda_p$     | $I_F=20mA$ | -    | 850  | -    | nm      |
| Radiant Intensity  | $I_e$           | $I_F=20mA$ | 40   | 45   | 50   | mW/Sr   |
| 50% Power Angle    | $2\theta_{1/2}$ | $I_F=20mA$ | -    | 50   | -    | deg     |

\*1 Tolerance of Peak wavelength is  $\pm 1nm$

\*2 Tolerance of luminous intensity is  $\pm 15\%$

